

CE and FC Certified Professional Series of CCTV Surveillance Products



Key feature

System function:

- 1/4" SONY high performance CCD
- High-precision motor with sensitive response and reliable movement. Precision bias less than 0.1. No vibration under any selected speed.
- Auto adaptive AVI VISION, Pelco-P/D protocol in RS-485 control mode
- 3D intelligent positioning function. Through software or DVR, It can realize tracking and enlarging
- OSD menu in multiple languages and operation hint capability
- Power off protection of setup parameters
- Power off memory function: restore PTZ & lens status after reboot
- Built-In temperature sensor designed, with display of internal temperature
- Lightning protection, Surge protection and voltage transient protection capabilities
- Outdoor dome meets IP66 standard
- RS-485 connection failure diagnosis capability, with failure information, e.g., wrong address, baud rate errors. etc., displayed on the video screen in text
- Manchester code and connection failures diagnosis capability, with failure information, e.g., wrong address, baud rates error displayed on the video screen in special characters
- Scheduled enabling of preset/patrol/pattern/pan scan/tilt scan/random scan/frame scan/panorama scan
- Password protection to prevent unauthorized operation
- + Camera title programmable, with display of Chinese/English characters on video screen
- + Scanning within programmed zone without need of receiving control command; display zone title



AVI-VIS-F1A2-517-B

Camera function

- Auto Iris, auto focus, auto white balance, WDR Compensation and auto/manual day & night switch
- 24 privacy masks programmable, with location and size adjustable; a maximum of 8 zones can be masked simultaneously on the same video screen (depending on different cameras models)

PTZ Function

- 360 ° endless pan range and -5185 tilt range
- Max. Pan preset speed of 540 °/s and max. tilt preset of 400 °/s
- Manual pan speed of 0.1 ° - 140 °/190 °/240 °/s
- 256 preset programmable ; preset image freezing capability
- 8 patrols. Each patrol up to 32 presets

- 4 patterns, with the total recording time not less than 10 min
- Proportional zoom function, with rotation speed adjusted automatically according to zoom multiples
- Park action: auto callup of preset/patrol/pattern/pan scan/ tilt scan/random can/frame scan/panorama scan, after a defined time of inactivity
- 7 alarm inputs(priority configuration) and 2 alarm outputs, providing alarm response action of relay out/preset

Application

It can be widely used in wide range environments which required high-speed monitoring, e.g. river, forest, highroad, railway, airport, port, oil field, sentry, pizza, park, scenic zone, street, station, venue and etc.

Specifications :

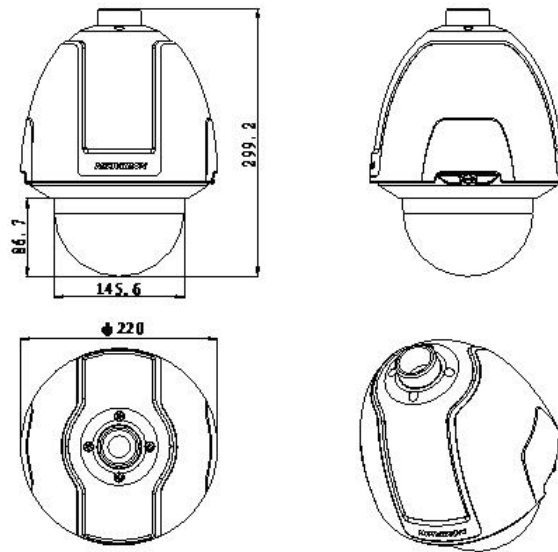
Model	AVI-VIS-F1A2-517-B	
Camera	Image Sensor	1/4 inch SONY EXVIEW CCD
	Effective Pixel	PAL: 752(H)×582(V) NTSC: 768(H)×494(V)
	Horizontal Resolution	540 TVL(Color) 570 TVL(B/W)
	Signal System	PAL /NTSC
	Min.Illumination	1.4Lux/F1.4(Color)
	White Balance	Auto / Manual / ATW / Indoor / Outdoor
	AGC	Auto / Manual
	S / N Ratio	More than 50dB
	BLC / WDR	WDR, 128x(On / Off)
	Electronic Shutter	PAL: 1/3~1/10,000s NTSC: 1/4~1/10,000s
	Day & Night	ICR
	Digital Zoom	12x
	Privacy Mask	24 privacy masks programmable; a maximum of 8 zones can be masked simultaneously on the same video screen
	Focus Model	Auto / Semiautomatic / Manual
Lens	Focal Length	3.4-122.4mm, 36X
	Zoom Speed	Approx. 4.0s(Optical Wide-Tele)
	Angle of View	57.8-1.7degree(Wide-Tele)
	Min. Working Distance	10-1500mm(Wide-Tele)
	Aperture Range	F1.6-F4.5
Pan and Tilt	Pan Range	Pan Manual Speed: 0.1° ~240°/320° /400°/s, Pan Preset Speed: 540°/s
	Tilt Range	-5°~185°(Auto Mirror)
	Tilt Speed	Tilt Manual Speed: 0.1° ~140°/190°/ 240°/s, Tilt Preset Speed: 400°/s
	Proportional Zoom	Support
	Number of Preset	256
	Patrol	8patrols, each patrol up to 32 presets
	Pattern	4 patterns, with the total recording time not less than 10 min
	Power-off Memory	Support
	Park Action	Preset / Patrol / Pattern / Pan scan / Tilt scan / Random scan / Frame scan / Panorama scan
PTZ Position Display	On / Off	

Pan and Tilt	Freeze Frame	Support
	Password Protection	Support
	Zone Scanning/Display	Support
	Camera Title	Support
	Compass	Support , the north can be set
	Scheduled Task	Preset / Patrol / Pattern / Pan scan / Tilt scan / Random scan / Frame scan / Panorama scan
	RS-485 Connection failure diagnosis	Support
	Manchester code and connection failures diagnosis	Support
Alarm	Alarm Input	7 inputs, priority configurable
	Alarm Output	2 relay outputs, alarm response actions option
	Alarm Action	Preset / Patrol / Pattern / Pan scan / Tilt scan / Random scan / Frame scan / Panorama scan / Relay output
Input/ Output	Monitor Output	1.0V[p-p] / 75Ω, NTSC (or PAL) composite, BNC
	Audio Input	-
	Audio Output	-
General	Menu Language	English, Chinese
	RS-485 Protocols	AVI-VISION, Pelco-P, Pelco-D (addible), self-adaptive
	Power Supply	24VAC (12V DC option)
	Power Consumption	15W max(30W max with heater, outdoor dome)
	Working Temperature / Humidity	-30°~65°(outdoor) / -10°~50°(indoor) 90% or less
	Protection level	IP66 standard (outdoor dome) TVS 3000V lightning protection, surge protection and voltage transient protection
	Mounting	Various mounting modes option
	Dimension	Ø220(mm)×299.2(mm)
	Weight (approx.)	5kg
	Mount Option	Wall Mount:DS-1611ZJ(White);Corner Mount:DS-1632ZJ(White); Indoor pendant mount:DS-1651ZJ(White);Ceiling Mount:DS-1642ZJ(White)

Accessories:



Dimension:



Unit:(mm)



AVI INFOSYS LLC

#1005,Executive suite,10th Floor
The Park Place Tower, Trade Centre-1
Sheikh Zayed Road,PO BOX: 26813
Dubai, United Arab Emirates
Tel +971(4)358 7036, Fax : +971(4)358 7063
Email: info@avi-infosys.com
Web: www.avi-infosys.com

TOLL FREE 800 AVI (800-284)



AVI INFOSYS

Define → Design → Deploy

INTERNATIONAL OPERATIONS



An ISO 9001:2008 Certified
IT Solutions Provider Company