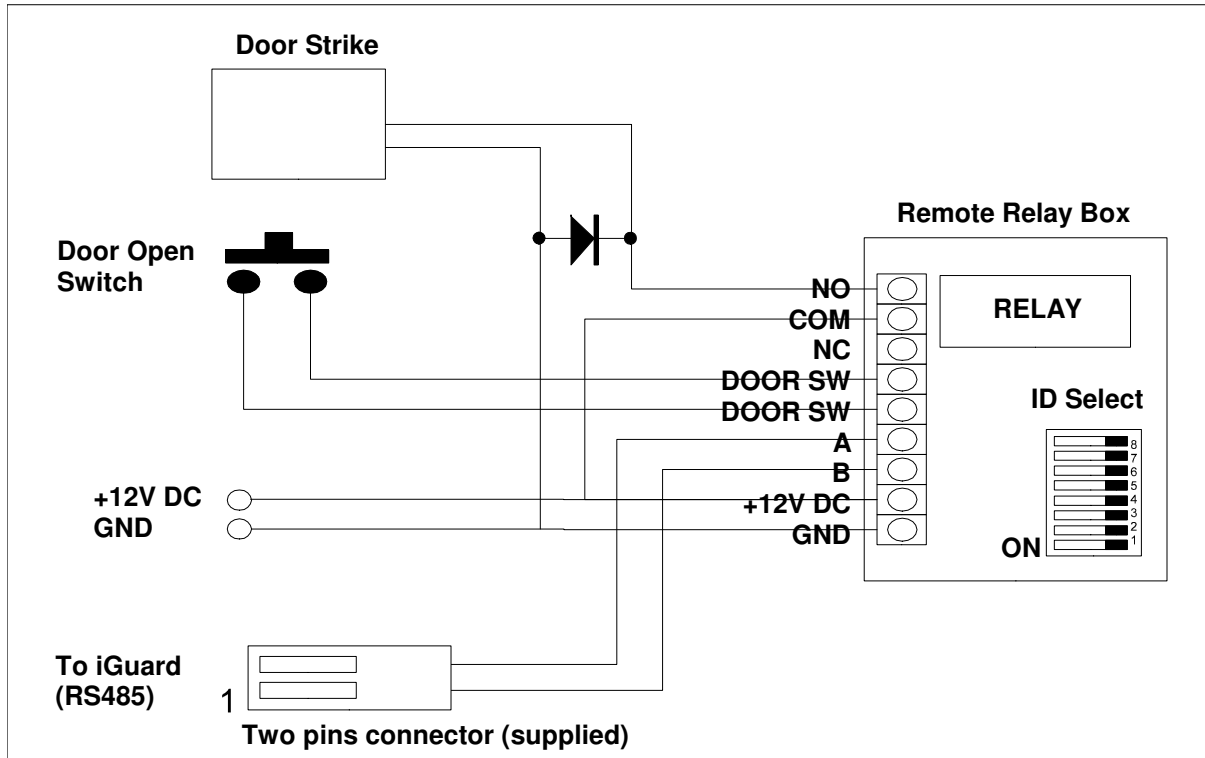


iGuard™ Remote Door Relay Board Connection Circuit



Remote Door Relay Connection Terminals Description:

1. NO - Door Relay's Normal Open
2. COM - Door Relay's Common
3. NC - Door Relay's Normal Close
4. DOOR SW - Door Switch
5. DOOR SW - Door Switch
6. A - RS485 Connection, connect to iGuard
7. B - RS485 Connection, connect to iGuard
8. +12VDC
9. GND

ID Selection Switches:

Turn 8 ID selection switches on or off to select the ID No. for the Remote Relay. Each Switch represent a number and the selected ID is the sum of that number. For example, to set the ID of the relay box to 12, turn on switches No. 3 & 4. The following table shows the number of each switch:

Switch	Number
1	1
2	2
3	4
4	8
5	16
6	32
7	64
8	128

Requirement:

In order to use this Remote Door Relay Board, special requirement of iGuard is necessary, which is the Firmware Version : 3.4.0001A or up (can be updated by firmware update patch). For info, please visit our home page : www.lucky-tech.com